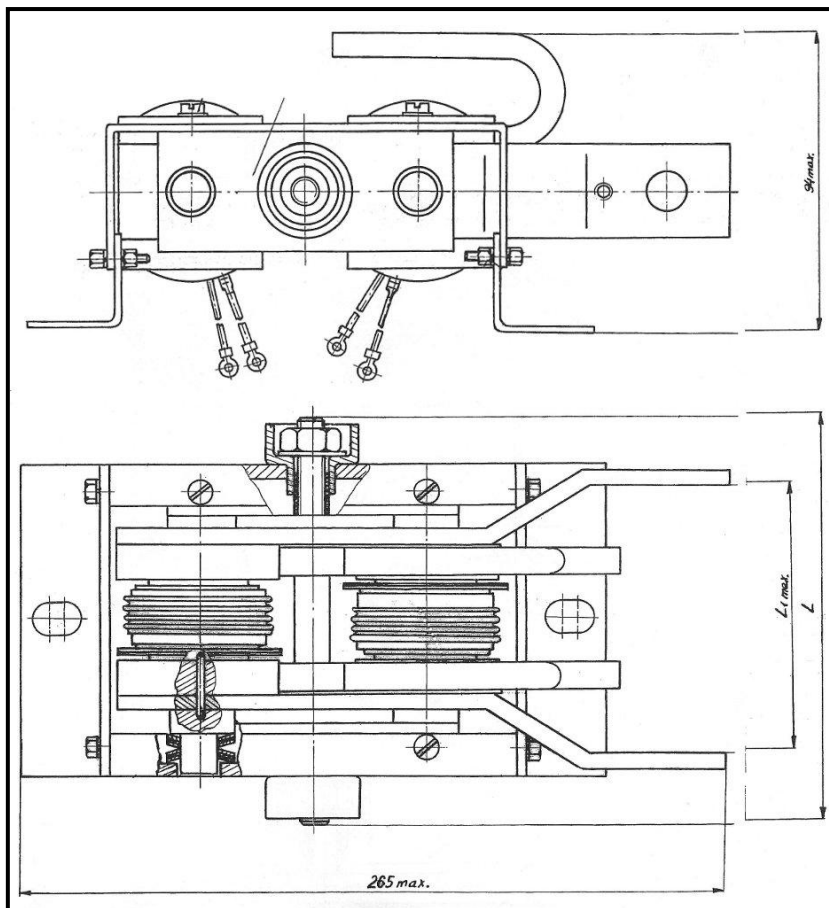




Assemblies type A2Q are design

Package details



	L	L _{1max}
	mm	
"6"	130	80
"7", "8"	140	93

For further package information, please contact Sales & Marketing Department.
Do not scale.