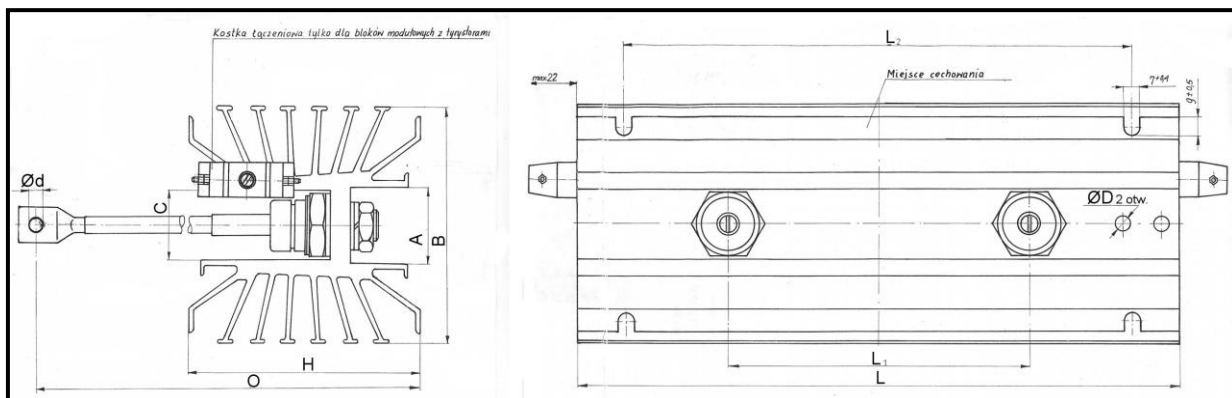




Assemblies type RT460 are design

Package details



A	B _{max}	C	ØD ₁	ØD ₂	H	L ^{±1}	L ₁ ^{±1}	L ₂ ^{±1}	O
mm									
54	160	48,5	8,6	9	160	460	230	420	315

For further package information, please contact Sales & Marketing Department.
Do not scale.