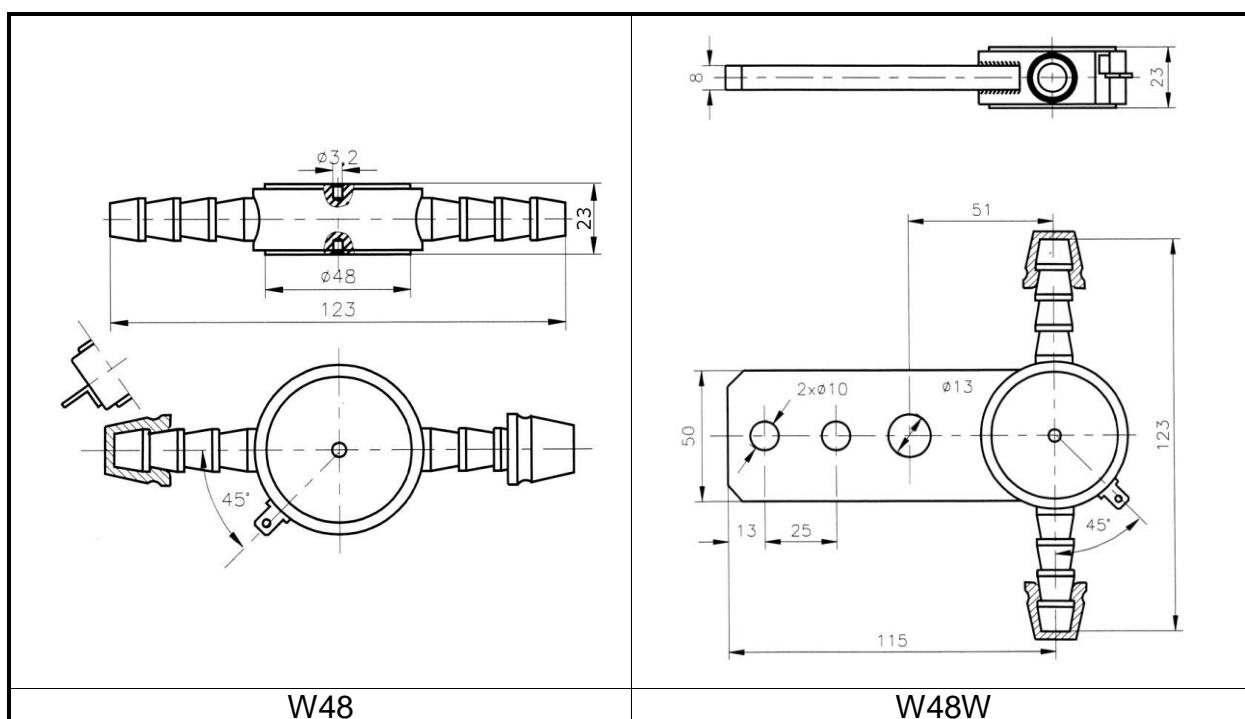


Heatsink type W48 and W48W for devices: D95, T95.

Package details

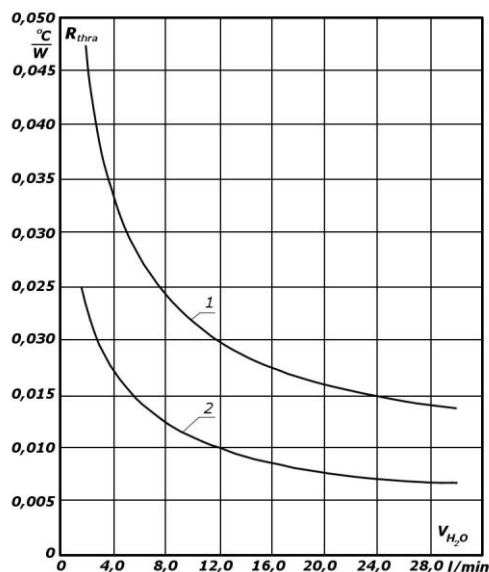


For further package information, please contact Sales & Marketing Department.
 All dimensions in mm, unless stated otherwise.
 Do not scale.

Type W48 and W48W Heatsink

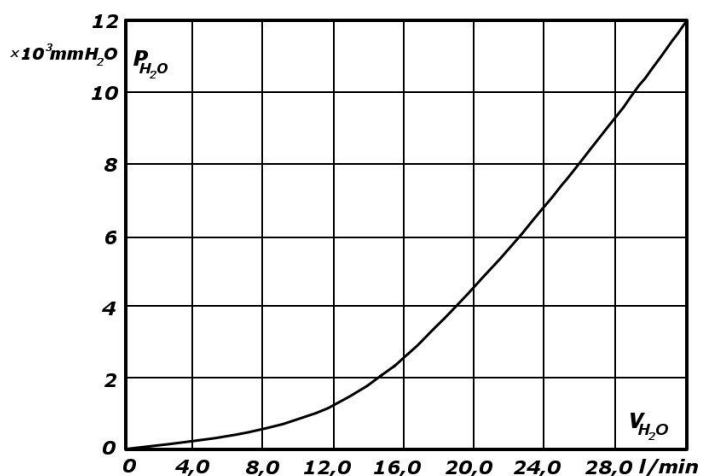
KKRw48, March 2012 version

CHARACTERISTICS



W48. Thermal resistance vs. coolant

1 – single side air cooled, 2 – double side air cooled



W48. Pressure drop vs. coolant