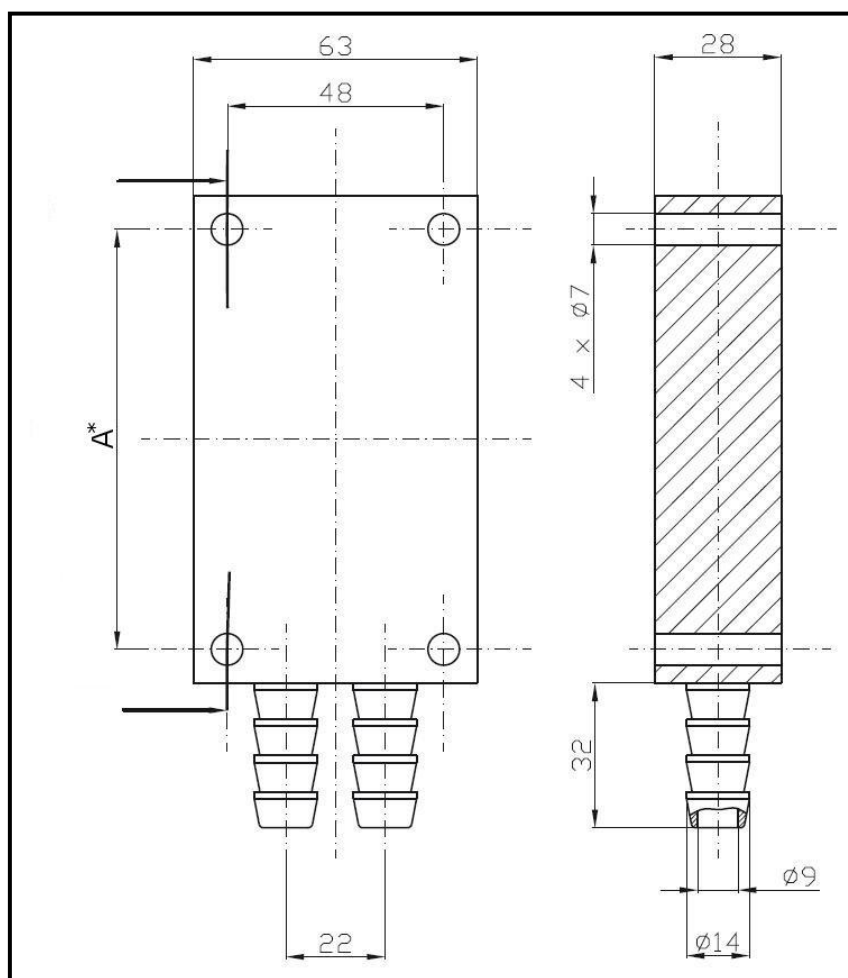


Heatsink type WF1 for modules.

Package details



A* - according to customer demand

For further package information, please contact Sales & Marketing Department.
All dimensions in mm, unless stated otherwise.
Do not scale.